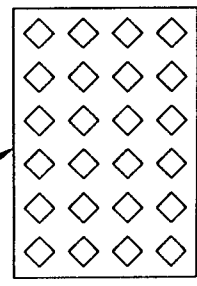




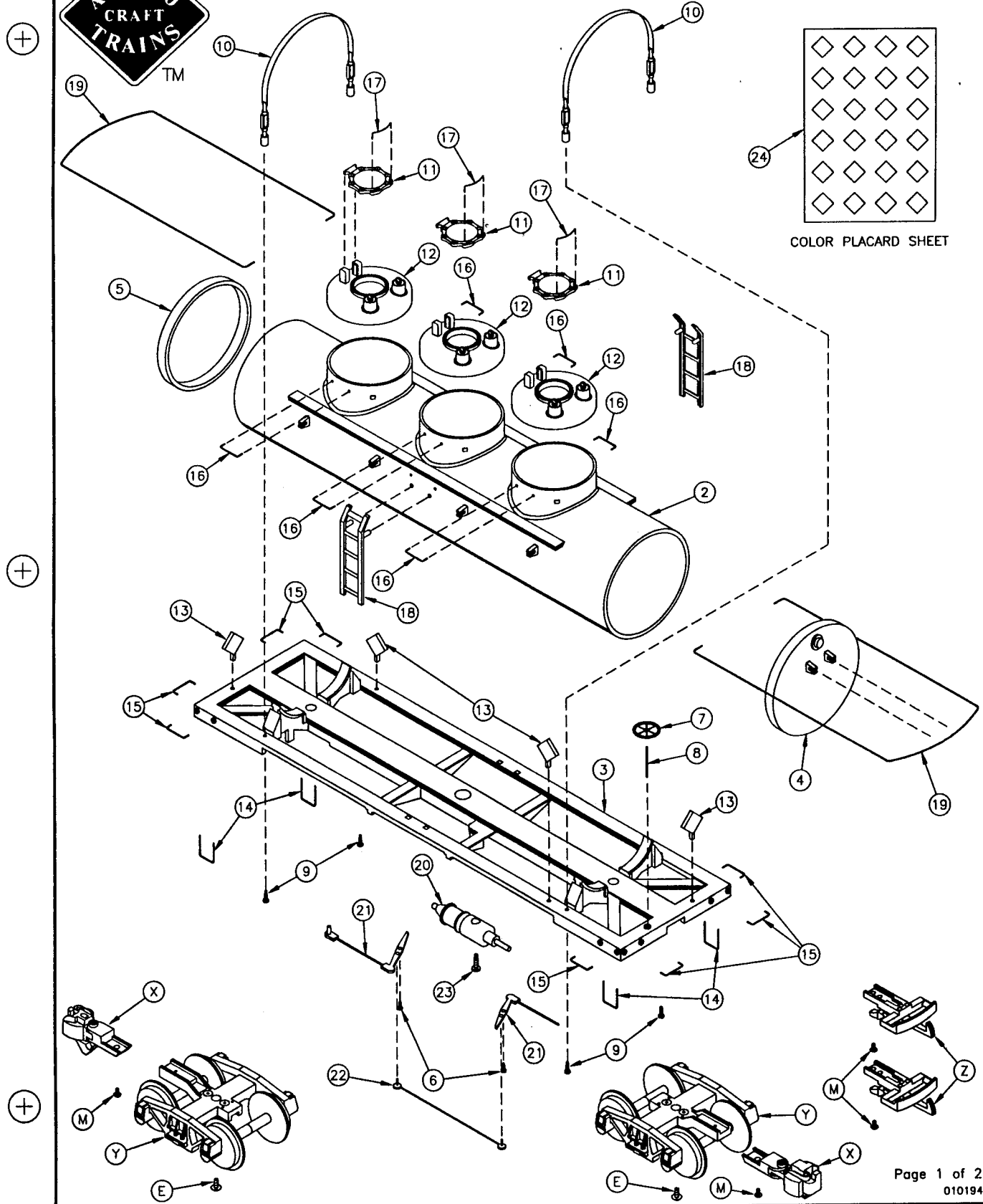
# ART-41600 SERIES TRIPLE-DOME TANK CAR

## ASSEMBLY INSTRUCTIONS

1 Gauge 1:29



COLOR PLACARD SHEET



# ART-41600 SERIES TRIPLE-DOME TANK CAR

## PARTS LIST-ORDER FORM



SPECIFY ROADNAME/ART#: \_\_\_\_\_ Insert Quantity Ordered

RETURN THIS FORM WITH YOUR ORDER  
A REPLACEMENT FORM WILL BE SENT WITH YOUR ORDER

Part #	Description *	Price	Quantity Ordered
① 41600-01	Instruction Manual		
② 416XX-02	Body Shell (Except LTD./Special editions)		
③ 41300-03	Underframe		
④ 416XX-04	Body End-B (Brake) End		
⑤ 416XX-05	Body End-A End		
⑥ 41300-80	Underframe Screw-Small (pair)		
⑦ 41300-11	Brakewheel		
⑧ 41300-12	Brass Brakewheel Post		
⑨ 41300-82	Body Strap Screw (pair)		
⑩ 416XX-06	Body Strap (pair)		
⑪ 416XX-31	Dome Hatch Cover		
⑫ 416XX-32	Dome Cap		
⑬ 41300-13	Placard Holder (Black Plastic) 4 pcs.		
⑭ 41300-15	Brass Step		
⑮ 41300-20	Brass Grabrailing Small-Body Side/End		
⑯ 41300-24	Brass Grabrailing-Dome Side		
⑰ 41300-25	Brass Grabrailing-Dome Cover		
⑱ 41300-15	Body Ladder		
⑲ 41300-21	Brass Body Side Railing		
⑳ 41300-16	Air Tank		
㉑ 41300-17	Brake Rigging (2 pc. Set)		
㉒ 41300-18	Brake Linkage		
㉓ 41300-81	Air Tank Screw		
㉔ 41300-14	Set of 4 (6 Designs) Full Color Placards		
Ⓐ 29104	Plastic Wheel Set (2 Axles-4 Wheels)		
Ⓑ 29101-02	Sideframe		
Ⓒ 29101-03	Axle Bushing (2 pcs.)		
Ⓓ 29101-04	Spring Holder w/Brakeshoes		
Ⓔ 29101-86	Bolster Truck Screw		
Ⓕ 29101-06	Bolster		
Ⓖ 29101-99	Freight Truck Springs (2 pcs.)		
Ⓗ 29200-02	Coupler Drawhead Shank		
Ⓘ 29200-03	Shank Pivot		
Ⓚ 29200-04	Centering Spring		
Ⓛ 29200-85	Centering Screw		
Ⓚ 29200-06	Coupler Mounting Bracket		
Ⓜ 29200-87	Mounting Screw		
Ⓝ 29200-08	Centering Shaft		
Ⓞ 29200-09	Drawhead Spring		
Ⓟ 29200-10	Knuckle Tab		
Ⓠ 29200-11	Knuckle Spring		
Ⓡ 29200-12	Knuckle Head		
Ⓢ 29200-13	Drawhead Bottom Plate		
Ⓣ 29200-84	Plate Mounting Screw (2 pcs.)		
Ⓤ 29200	Coupler-Knuckle (2 pcs.)		
Ⓡ 29101	Truck, Freight w/Plastic Wheels w/o coupler (pair)		
Ⓢ 29101-69	Plastic Loop/Hook Couplers (2 pcs.)		
④ 41600-99	Parts List-Order Form		

NOTE: When ordering replacement parts or repair request, please refer to proper 5 or 7 digit number listed.

XX refers to last two digits of roadname ART freight car number when part is painted to match, i.e. ART-41607 ESSO. 41607-02 would then refer to TANK CAR BODY SHELL for ESSO TRIPLE-DOME TANK CAR ART-41607. If part is same FOR ALL SINGLE DOME/CHEMICAL and TRIPLE-DOME TANK CARS, 41300-plus 2 digit number would be used to denote specific part, i.e. 41300-03 Underframe. When part is same FOR ALL TANK CARS and OTHER FREIGHT CARS, 29200 (or other #-plus 2 digit number) would be used to denote specific part regardless of roadname/car type. Please specify roadname/ART# on line above part# list.

Unpainted/painted part(s) will be substituted if the painted to match part(s) ordered are not available.

In addition to Price Each shown please enclose...  
\$5.00 shipping/handling if part order is less than \$10.00 or  
\$10.00 shipping/handling if part order is \$10.00 or more.  
This is for part order only. Not WARRANTY order.

Include proper payment for parts plus shipping/handling with your (USA Bank Account Only) check/money order payable in US Dollars (\$) to: Polk's Hobbies. Please DO NOT SEND CASH. Sorry no C.O.D.'s for parts.

New Jersey residents add 6% NJ State Sales Tax.

Be Sure to include your name, street address (no Post Office Box please), city, state (or province), country (if outside USA), and postal zip code, along with daytime phone number including Area Code, so that you may be contacted if necessary.

Mail order form and payment to:  
ARISTO-CRAFT TRAINS/Polk's Modelcraft Hobbies, Inc.  
698 South 21st Street  
Irvington, NJ 07111-4109 USA

Allow 4-6 weeks for processing and delivery.

PLEASE PRINT CLEARLY

NAME: \_\_\_\_\_

ADDRESS: \_\_\_\_\_

CITY: \_\_\_\_\_ STATE: \_\_\_\_\_ ZIP: \_\_\_\_\_

PHONE: (\_\_\_\_) - \_\_\_\_\_

\*one piece unless otherwise noted

