



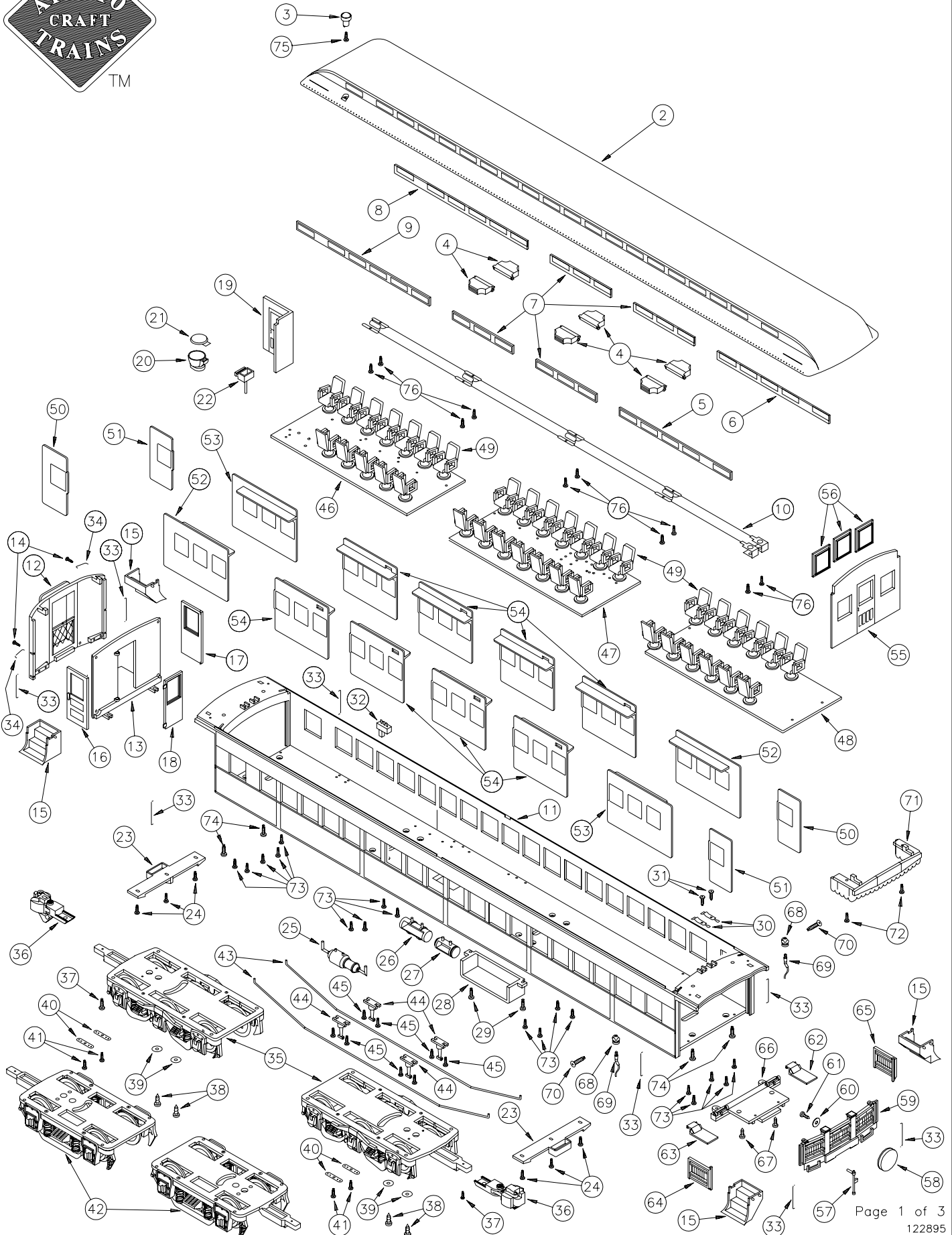
ART-31400 SERIES STANDARD HEAVYWEIGHT OBSERVATION EXPLODED PARTS DIAGRAM

#1 Gauge 1:29 SCALE

+

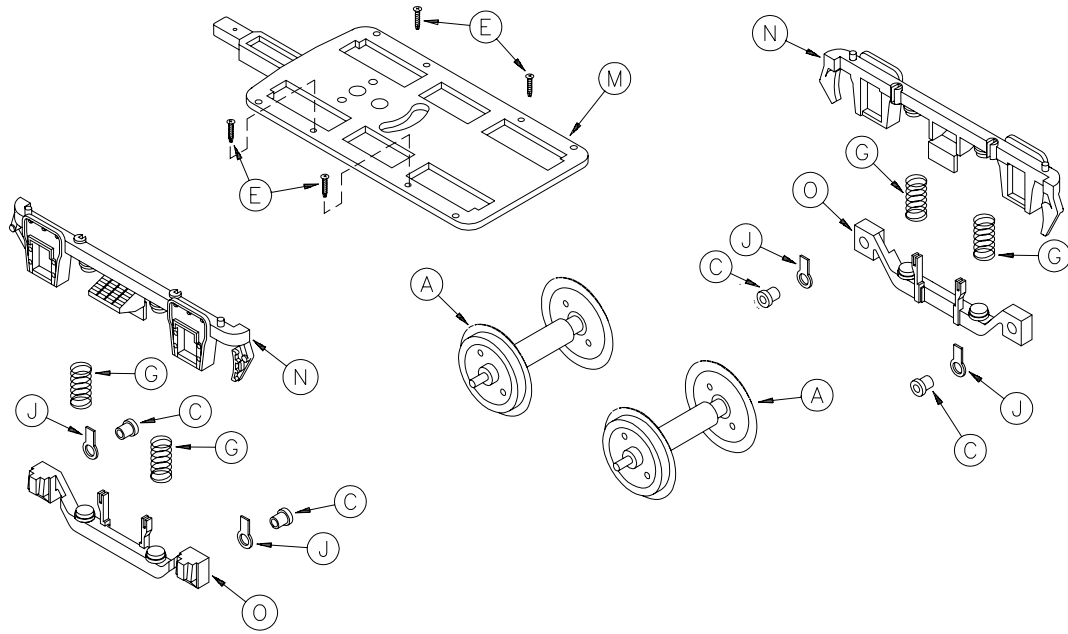
+

+



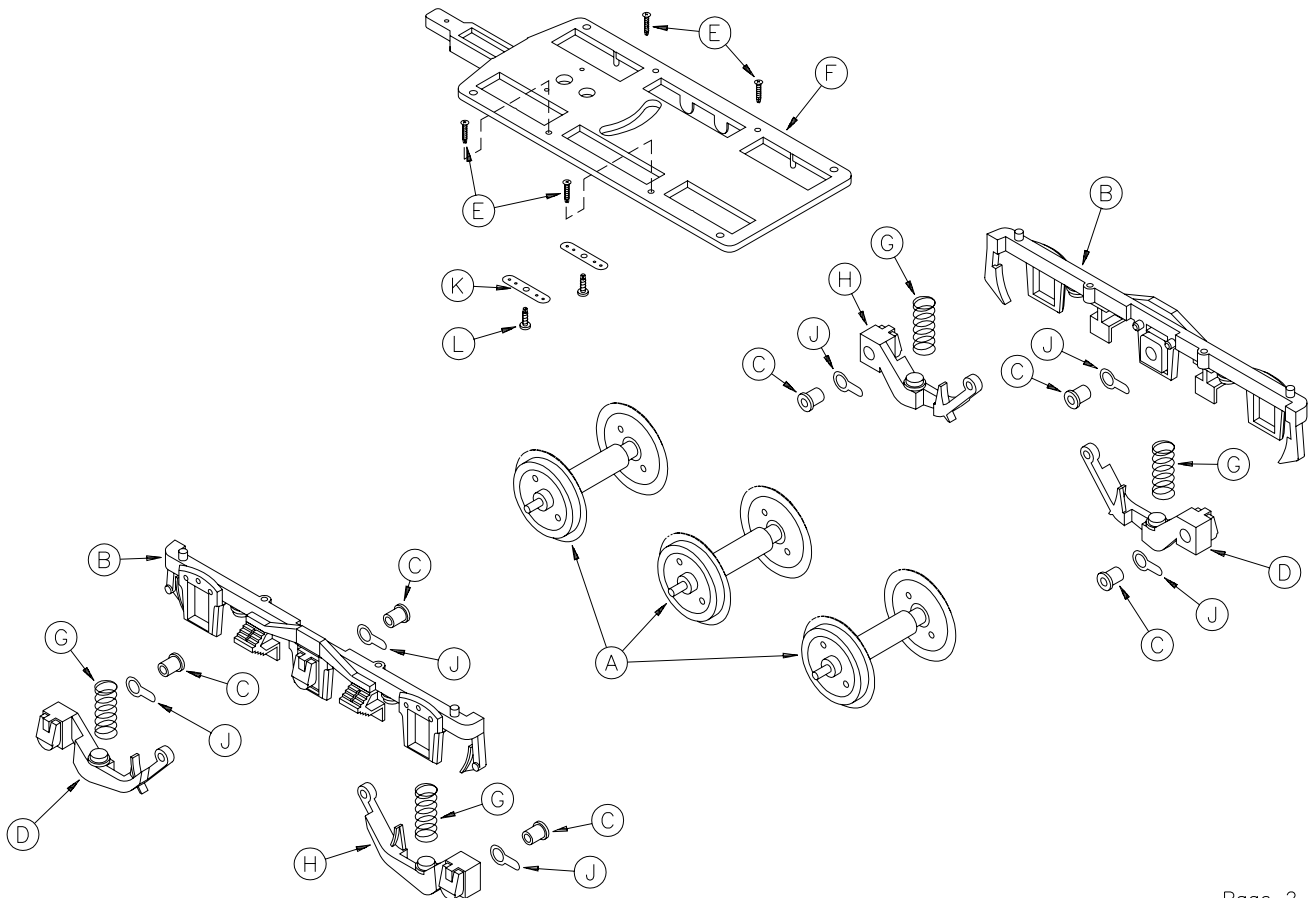
ART-29109 HEAVYWEIGHT 2 AXLE TRUCK

EXPLODED PARTS DIAGRAM



ART-29110 HEAVYWEIGHT 3 AXLE TRUCK

EXPLODED PARTS DIAGRAM



ART-31400 SERIES STANDARD HEAVYWEIGHT OBSERVATION PARTS LIST-ORDER FORM



SPECIFY ROADNAME/ART#: _____ Insert Quantity

Part #	Description *	Price	Quantity Ordered
① 31400-01	Instruction Manual		
② 314XX-02	Roof		
③ 314XX-03	Toilet Vent		
④ 31400-04	Car Vent		
⑤ 314XX-05	Skylight 5 Pane Right		
⑥ 31400-06	Skylight 5 Pane Left		
⑦ 31400-07	Skylight 3 Pane		
⑧ 31400-08	Skylight 6 Pane Right		
⑨ 31400-09	Skylight 6 Pane Left		
⑩ 31400-10	Car Interior Lights		
⑪ 31400-11	Car Body		
⑫ 314XX-12	Car End		
⑬ 31400-13	Vestibule Wall		
⑭ 314XX-14	Car End Mounting Screw		
⑮ 314XX-15	Steps		
⑯ 314XX-16	L.H. Car Entrance Door		
⑰ 314XX-17	R.H. Car Entrance Door		
⑱ 31400-18	Interior Door		
⑲ 31400-19	Lavatory Wall and Door		
⑳ 31400-20	Commode		
㉑ 31400-21	Commode Lid		
㉒ 31400-22	Lavatory Sink		
㉓ 31400-23	Movable Bolster		
㉔ 31400-24	Bolster Mounting Screw		
㉕ 31400-25	Brake Cylinder		
㉖ 31400-26	Long Air Tank		
㉗ 31400-27	Short Air Tank		
㉘ 314XX-28	Battery Box		
㉙ 314XX-29	Battery Box Screw		
㉚ 314XX-30	Roof Light Tab		
㉛ 314XX-31	Roof Light Tab Screw		
㉜ 314XX-32	On / Off Switch		
㉝ 314XX-33	Vertical Grabiron		
㉞ 314XX-34	Horizontal Grabiron		
㉟ ART29110	3 Axle Heavyweight Truck		
㊱ 31400-36	Coupler-Knuckle (2 pcs.)		
㊲ 31400-37	Coupler Screw		
㊳ 31400-38	Bolster Screw		
㊴ 31400-39	Washer		
㊵ 31400-40	Wire Tab		
㊶ 31400-41	Wire Tab Screw		
㊷ ART29109	2 Axle Heavyweight Truck		
㊸ 314XX-43	Truss Rod		
㊹ 31400-44	Truss Rod Stanchion		
㊺ 314XX-45	Stanchion Screw		
㊻ 314XX-46	Module 1		
㊼ 314XX-47	Module 2		
㊽ 314XX-48	Module 3		
㊾ 314XX-49	Seats		
㊿ 31400-50	R.H. Single Pane Window		
1 31400-51	L.H. Single Pane Window		
2 31400-52	R.H. 3 Pane Window		
3 31400-53	L.H. 3 Pane Window		
4 31400-54	3 Pane Window Center		
5 31400-55	Compartment Wall		
6 31400-56	Compartment Wall Window		
7 31400-57	Brake		
8 31400-58	Drumhead		
9 31400-59	Observation Rail		
0 31400-60	Washer		
1 31400-61	Screw		
2 31400-62	L.H. Step Cover		
3 31400-63	R.H. Step Cover		
4 31400-64	R.H. Gate		
5 31400-65	L.H. Gate		
6 31400-66	Observation End Platform		
7 31400-67	Observation End Retainer Screw		
8 31400-68	Marker Light		
9 31400-69	Light Bulb		
0 31400-70	Marker Light Retainer Screw		
1 31400-71	Observation End Awning		
2 31400-72	Awning Retainer Screw		
3 31400-73	Module Screw		
4 31400-74	Car End Screw		
5 31400-75	Toilet Vent Screw		
6 31400-76	Interior Lights Retainer Screw		

Part #	Description *	Price	Quantity Ordered
Ⓐ 29111B	Black Metal Wheel		
Ⓑ 29110-01	3 Axle Sideframe		
Ⓒ 29110-02	Bushing		
Ⓓ 29110-03	Swing Arm Left Hand		
Ⓔ 29110-04	Screw		
Ⓕ 29110-05	3 Axle Bolster		
Ⓖ 29110-06	Spring		
Ⓗ 29110-07	Swing Arm Right Hand		
Ⓘ 29110-08	Wire Eye Tab		
Ⓚ 29110-09	Wire Metal Tab		
Ⓛ 29110-10	Screw		
Ⓜ 29110-11	2 Axle Bolster		
Ⓝ 29110-12	2 Axle Sideframe		
Ⓞ 29110-13	Sideframe Lower Spring Support		
Ⓟ 29115W	Front Truck Assembly		
Ⓡ 29101-69	Plastic Loop/Hook Coupler (2 pcs.)		
31400-99	Parts List-Order Form		

*one piece unless otherwise noted

RETURN THIS FORM WITH YOUR ORDER
A REPLACEMENT FORM WILL BE SENT WITH YOUR ORDER

NOTE: When ordering replacement parts or repair request, please refer to proper 5 or 7 digit number listed. XX refers to last two digits of roadname ART Passenger Coach number when part is painted to match, i.e. ART-31408 UNION PACIFIC. 31408-11 would then refer to CAR BODY for UNION PACIFIC STANDARD HEAVYWEIGHT OBSERVATION CAR ART-31408. If part is same FOR ALL STANDARD HEAVYWEIGHT OBSERVATION CARS, 31400 plus 2 digit number would be used to denote specific part, i.e. 31400-21 Commode used on ALL STANDARD HEAVYWEIGHT OBSERVATION CARS regardless of railroad name. When part is same FOR ALL STANDARD HEAVYWEIGHT OBSERVATION CARS AND OTHER HEAVYWEIGHTS, 29200 (or other #-plus 2 digit number) would be used to denote specific part regardless of roadname/car type. Please specify roadname/ART# on line above part# list and always when ordering parts by phone/fax/letter.

Unpainted/painted part(s) will be substituted if the painted to match part(s) ordered are not available. In addition to Price Each shown please enclose... \$5.00 shipping/handling if part order is less than \$10.00 or \$10.00 shipping/handling if part order is \$10.00 or more.

This is for part order only. Not WARRANTY order. Include proper payment for parts plus shipping/handling with your (USA Bank Account Only) check/money order payable in US Dollars (\$) to: Polk's Hobbies. Please DO NOT SEND CASH. Sorry no C.O.D.'s for parts.

New Jersey residents add 6% NJ State Sales Tax. Be Sure to include your name, street address (no Post Office Box please), city, state (or province), country (if outside USA), and postal zip code, along with daytime phone number including Area Code, so that you may be contacted if necessary.

Mail order form and payment to:
ARISTO-CRAFT TRAINS/Polk's Modelcraft Hobbies, Inc.
698 South 21st Street
Irvington, NJ 07111-4109 USA
Allow 4-6 weeks for processing and delivery.

PLEASE PRINT CLEARLY
NAME: _____
ADDRESS _____
CITY: _____ STATE: _____ ZIP _____
PHONE: (____) - _____ - _____