

# ART-22400 SERIES SD-45 DIESEL LOCOMOTIVE

## EXPLODED PARTS DIAGRAM

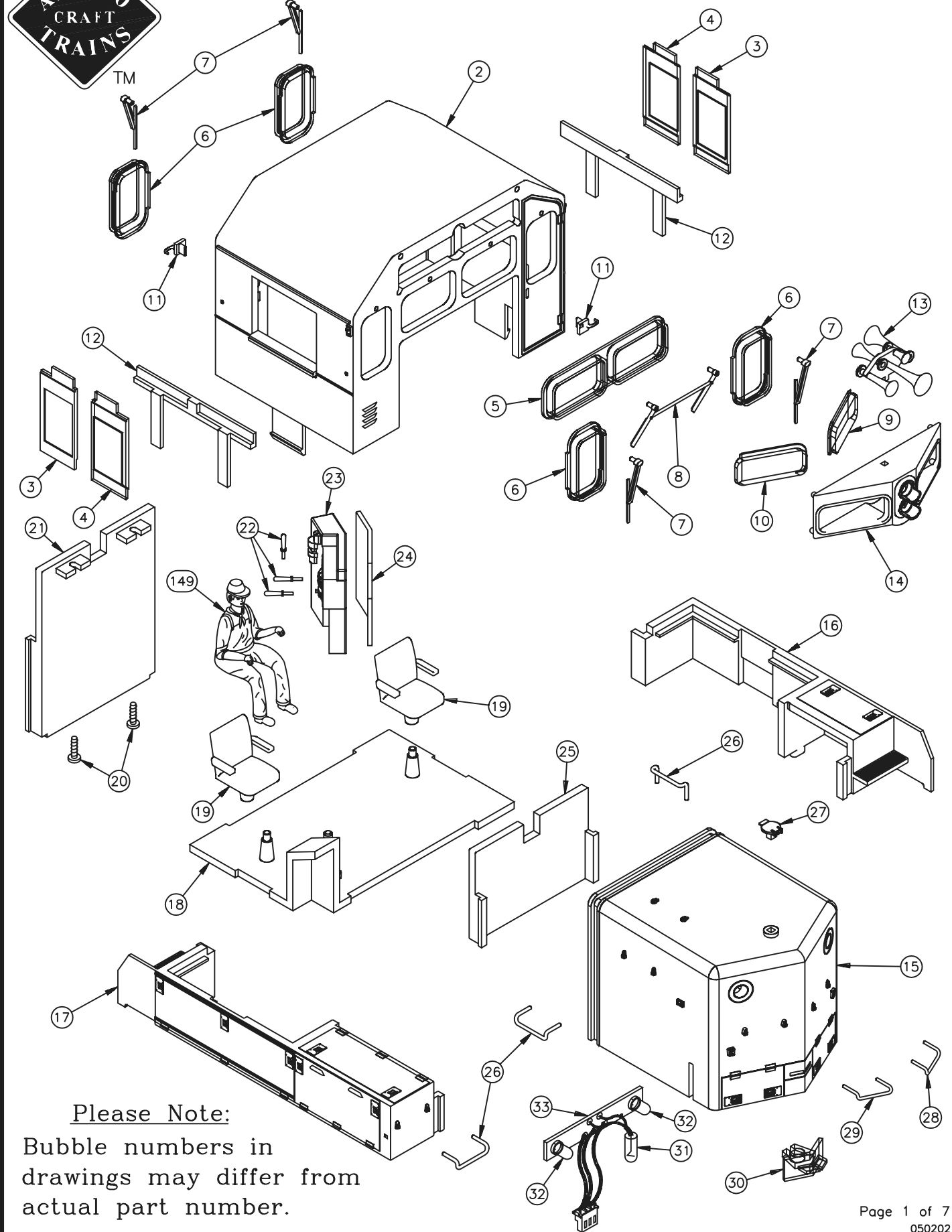
**1** Gauge **1:29** SCALE



(+)

(+)

(+)



Please Note:  
Bubble numbers in drawings may differ from actual part number.



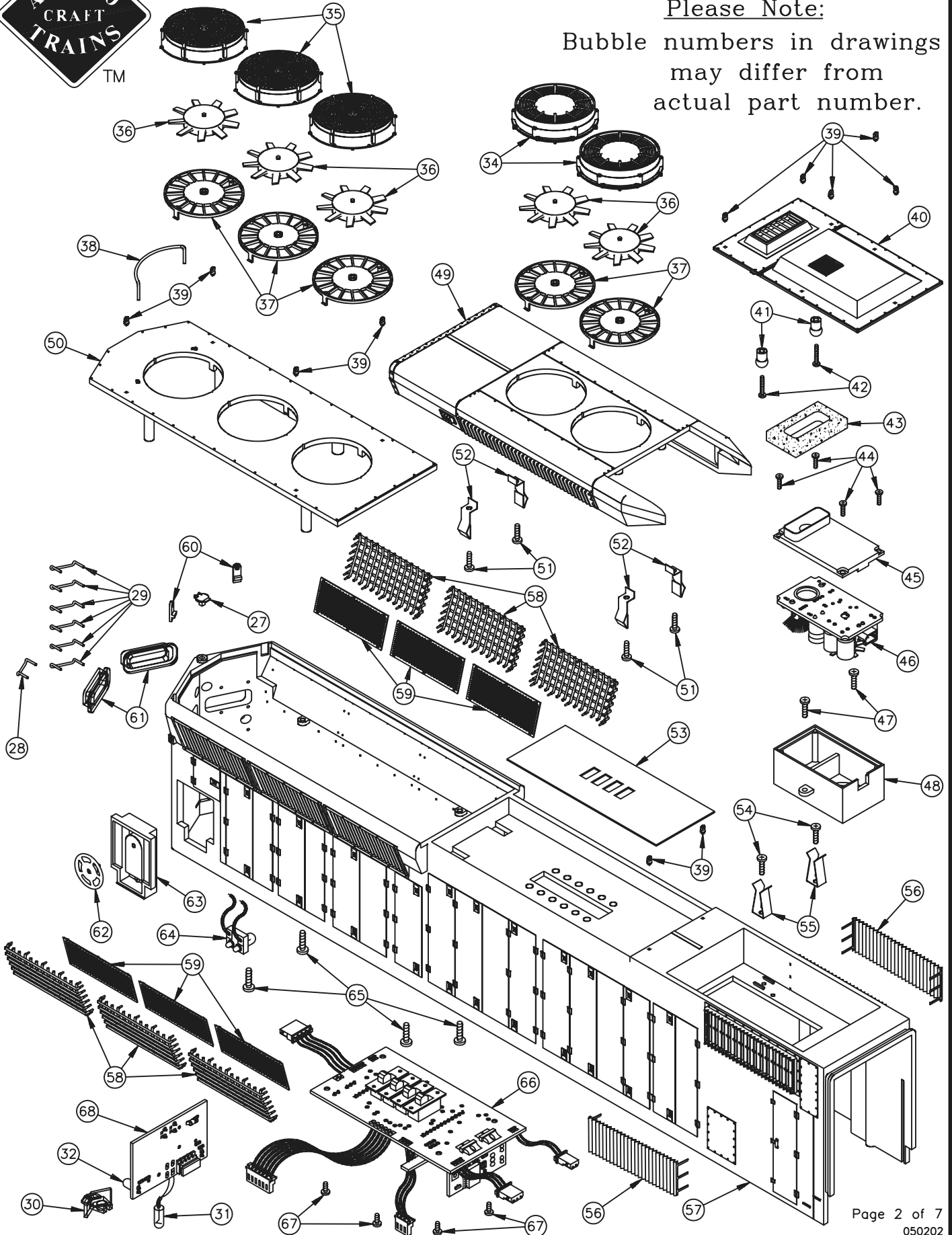
# ART-22400 SERIES SD-45 DIESEL LOCOMOTIVE

Gauge 1:29 SCALE

## EXPLODED PARTS DIAGRAM

Please Note:

Bubble numbers in drawings may differ from actual part number.





# ART-22400 SERIES SD-45 DIESEL LOCOMOTIVE

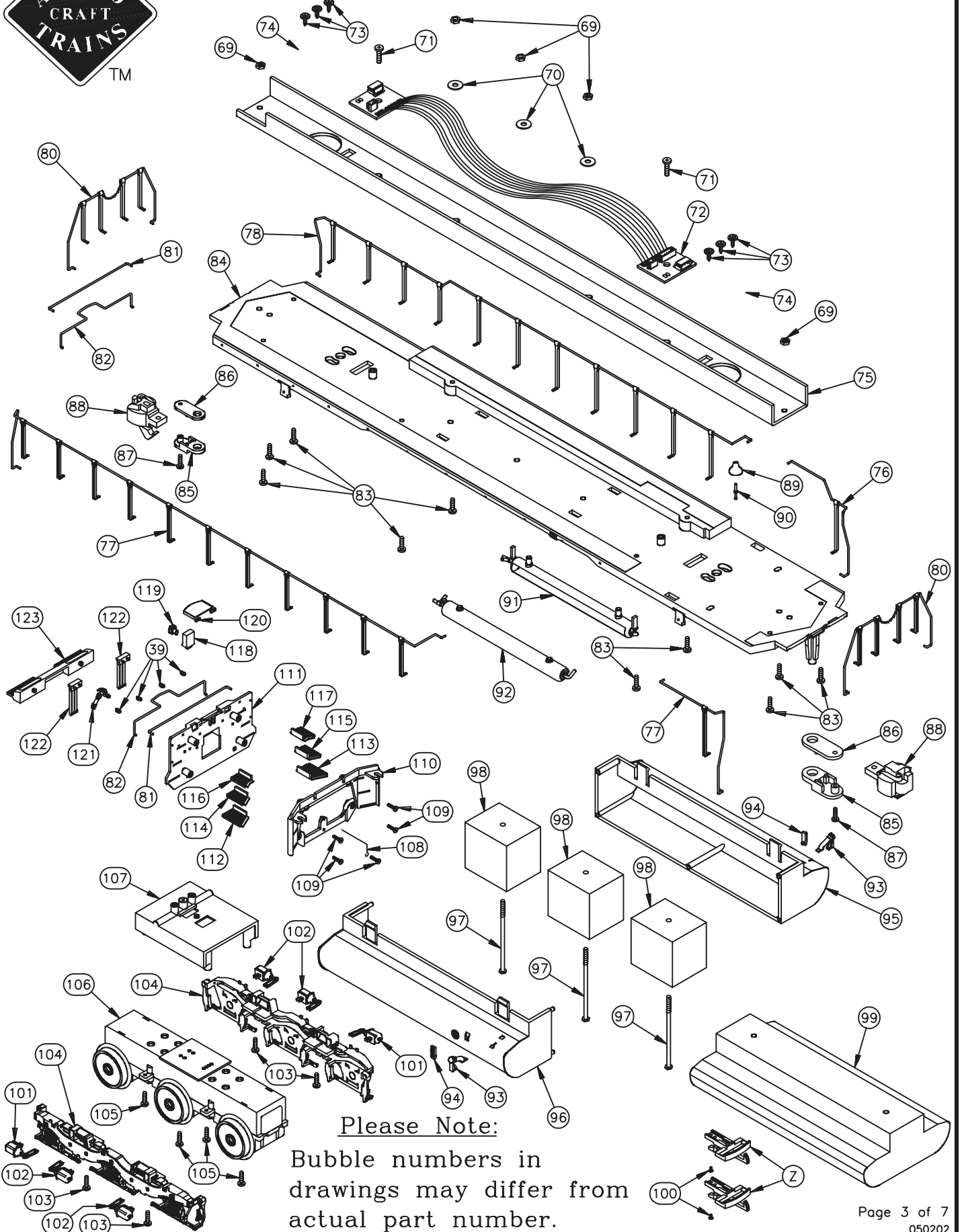
Gauge 1:29  
SCALE

## EXPLODED PARTS DIAGRAM

+

+

+

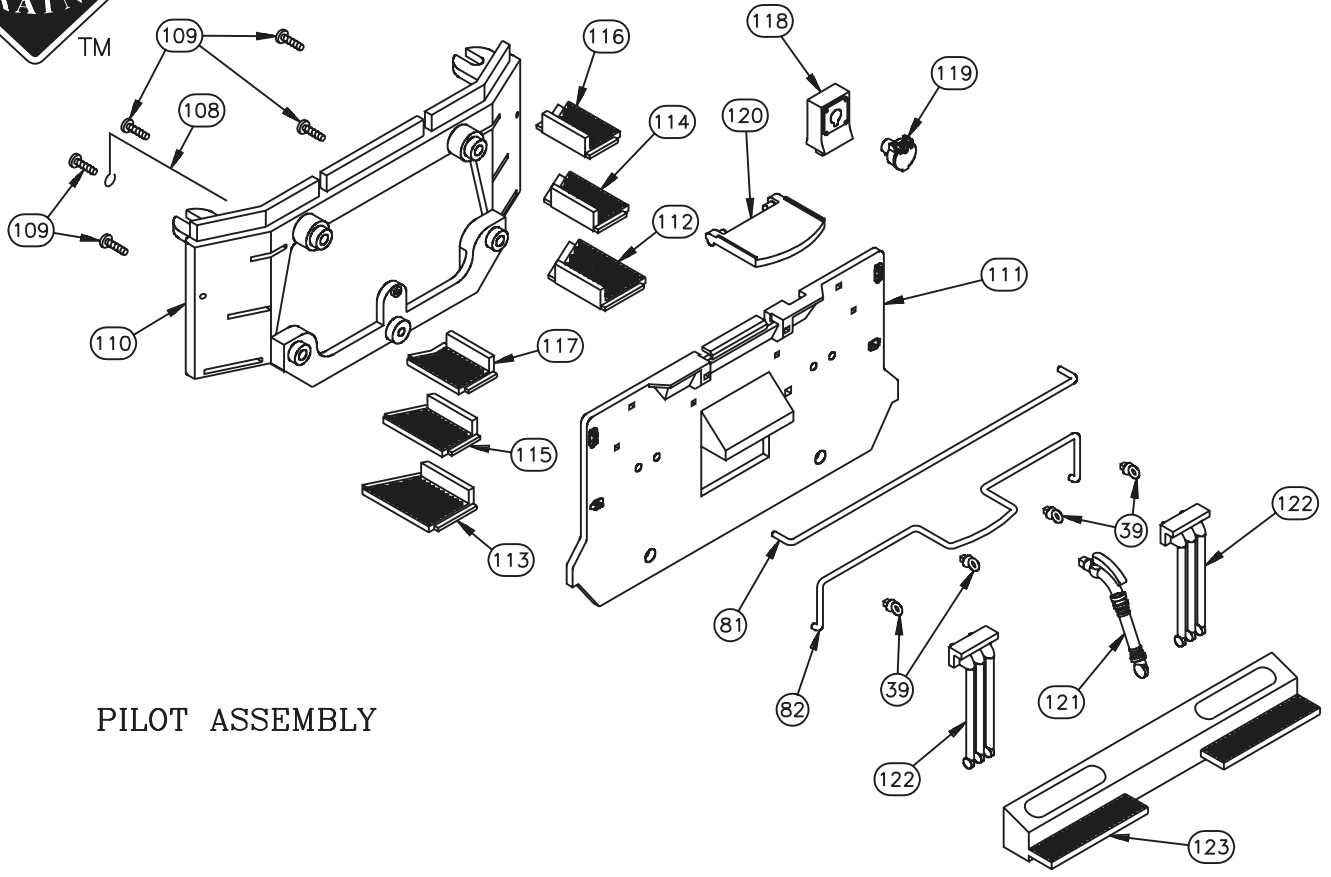


Please Note:  
Bubble numbers in drawings may differ from actual part number.



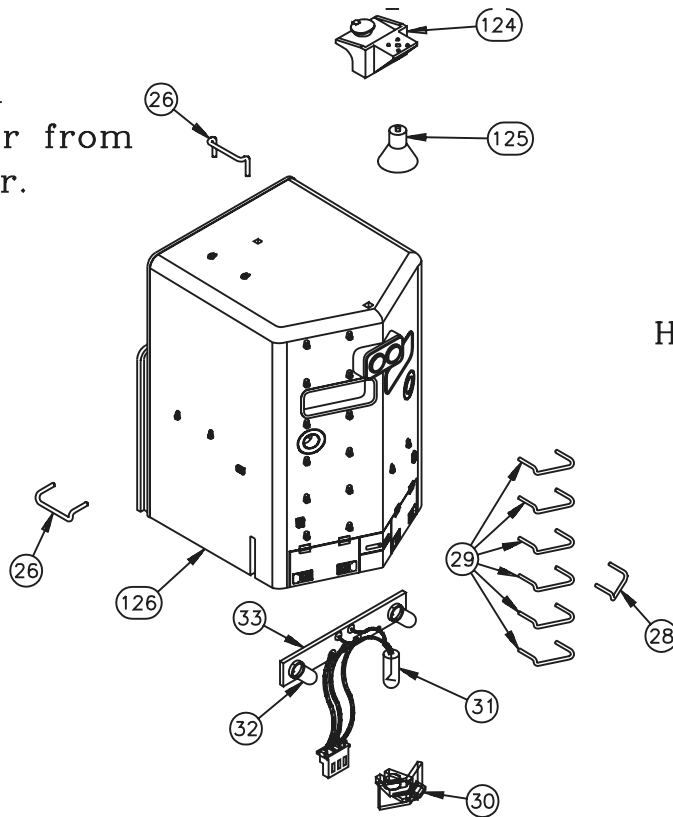
# ART-22400 SERIES SD-45 DIESEL LOCOMOTIVE EXPLODED PARTS DIAGRAM

**1:29**  
Gauge SCALE



PILOT ASSEMBLY

Please Note:  
Bubble numbers in drawings may differ from actual part number.



HIGH NOSE PARTS



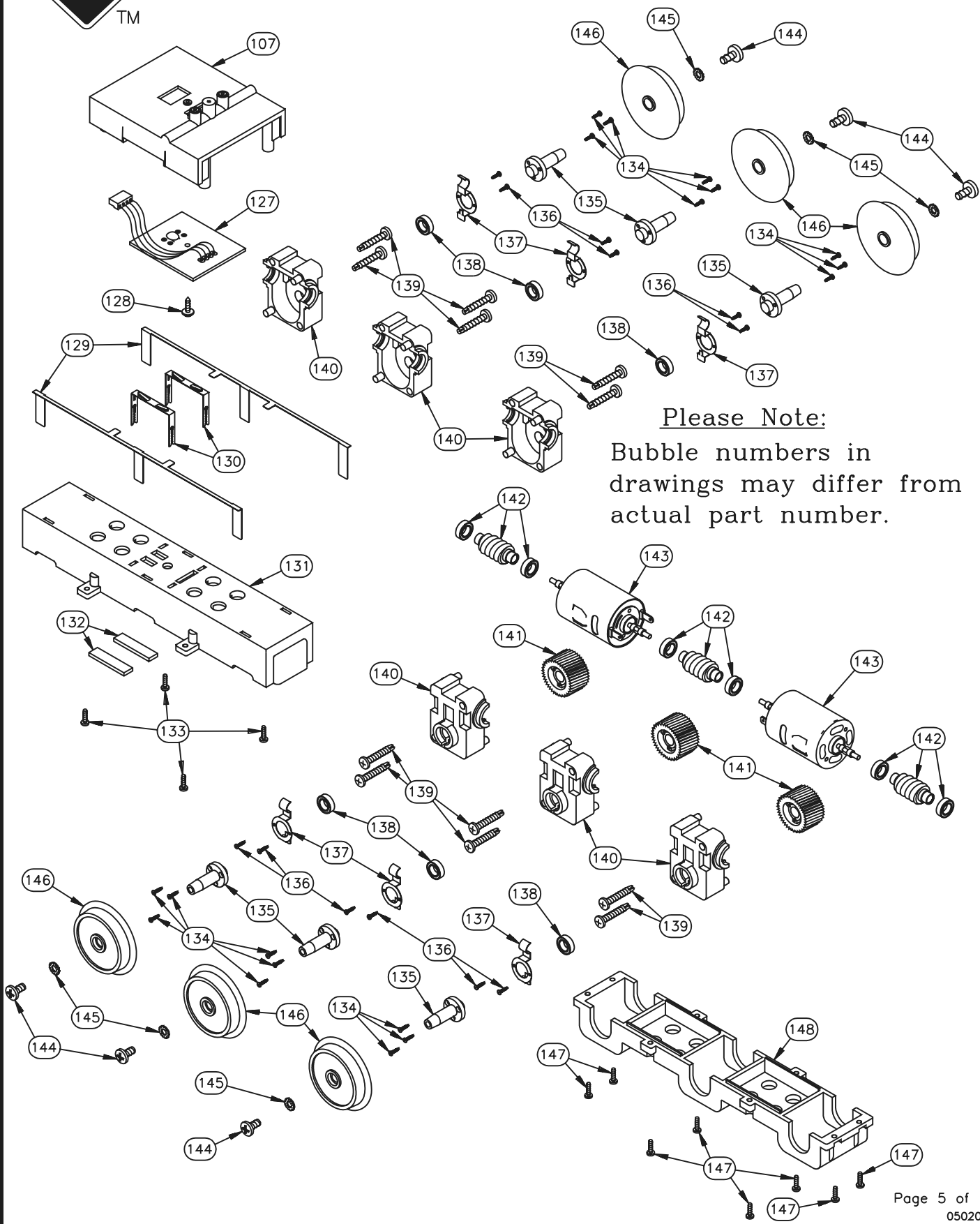
# ART-22400 SERIES SD-45 DIESEL LOCOMOTIVE EXPLODED PARTS DIAGRAM

Gauge 1:29  
SCALE

+

+

+



Please Note:  
Bubble numbers in drawings may differ from actual part number.

# ART-22400 SD-45 DIESEL LOCOMOTIVE

## PARTS LIST-ORDER FORM



SPECIFY ROADNAME/ART#: \_\_\_\_\_ Insert Quantity

Part #	Description *	Price	Quantity Ordered
①	22400-01 Instruction Manual		
②	22400-02 Cab		
③	22400-03 Cab Side Window L.H.		
④	22400-04 Cab Side Window R.H.		
⑤	22400-05 Cab Front Windshield		
⑥	22400-06 Cab End Window		
⑦	22400-07 Windshield Wiper		
⑧	22400-08 Dual Windshield Wiper		
⑨	22400-09 Front Numberboard L.H.		
⑩	22400-10 Front Numberboard R.H.		
⑪	22400-11 Door Handle		
⑫	22400-12 Cab Side Window Frame		
⑬	22400-13 Air Horns 5 Chime (SD-45)		
⑭	22400-14 Headlight and Number Board Housing		
⑮	22400-15 Low Nose		
⑯	22400-16 Battery Box L.H.		
⑰	22400-17 Battery Box R.H.		
⑱	22400-18 Floor		
⑲	22400-19 Crew Seat		
⑳	22400-20 Light Shield Screw		
㉑	22400-21 Light Shield Long Hood		
㉒	22400-22 Control Stand Knob (3 pcs.)		
㉓	22400-23 Control Stand		
㉔	22400-24 Control Stand Cover		
㉕	22400-25 Light Shield Low Nose		
㉖	22400-26 Grab 1		
㉗	22400-27 Sand Cover		
㉘	22400-28 Grab 1 R.H.		
㉙	22400-29 Grab 1 L.H.		
㉚	22400-30 Porch Light Bulb Holder		
㉛	22400-31 Light Bulb		
㉜	22400-32 LED		
㉝	22400-33 Front Headlight Circuit Board with Light Bulbs and LEDs		
㉞	22400-34 Fan Cover Style A		
㉟	22400-35 Fan Cover Style B		
㊱	22400-36 Fan		
㊲	22400-37 Fan Base		
㊳	22400-38 Grab Iron - Curved		
㊴	22400-39 Lift Ring		
㊵	22400-40 Exhaust Cover		
㊶	22400-41 Exhaust Cover Retainer		
㊷	22400-42 Exhaust Cover Retainer Screw		
㊸	22400-43 Smoke Unit Foam		
㊹	22400-44 Smoke Unit Cover Screw		
㊺	22400-45 Smoke Unit Cover		
㊻	22400-46 Smoke Unit Circuit Board		
㊼	22400-47 Smoke Unit Base Screw		
㊽	22400-48 Smoke Unit Base		
㊾	22400-49 Dynamic Brake Blister-Top		
㊿	22400-50 Rear Cover		
1	22400-51 Dynamic Brake Clip Retaining Screw		
2	22400-52 Dynamic Brake Clip		
3	22400-53 Switch Cover		
4	22400-54 Smoke Unit Retainer Clip Screw		
5	ART29701 Smoke Unit Retainer Clip		
6	22400-56 Long Hood Air Intake Screen		
7	22400-57 Long Hood		
8	22400-58 Side Grill		
9	22400-59 Radiator Filter		
0	22400-60 Lift Ear - Long Hood		
1	22400-61 Rear Number Board		
2	22400-62 Brake Wheel		
3	22400-63 Brake Wheel Housing		
4	22400-64 Step Light Lighting Module		
5	22400-65 Rear Cover Screw		
6	22400-66 Main PC Board Complete with Switches		
7	22400-67 Main PC Board Retaining Screw		
8	22400-68 Rear Headlight Circuit Board with Light Bulbs and LEDs		
9	22400-69 Weight Retaining Nut		
0	22400-70 Washer for Weight Screw		
1	22400-71 Weight Retaining Screw		
2	22400-72 Power Supply Circuit Board		
3	22400-73 "A" Frame Retainer Plate Screw		
4	22400-74 "A" Frame Retainer Plate		
5	22400-75 Chassis Weight		
6	22400-76 Handrail Front Left	} Sold as Set Unpainted Painted (Limited Available)	
7	22400-77 Handrail Front Right		
8	22400-78 Handrail Rear Left		
9	22400-79 Handrail Rear Right		
0	22400-80 End Sill Railing		
1	22400-81 Sill Grab Iron		
2	22400-82 Cut Lever		
3	22400-83 Sill Weight Screw		
4	22400-84 Chassis		
5	22400-85 Coupler Swing Bar		
6	22400-86 Coupler Mount		
7	22400-87 Coupler Swing Bar and Coupler Mount Screw		
8	ART29200 Knuckle Coupler		
9	22400-89 Bell		
0	22400-90 Bell Clapper		
1	22400-91 Air Reservoir L.H.		

92	22400-92 Air Reservoir R.H.		
93	22400-93 Fuel Fill Pipe		
94	22400-94 Fuel Gage		
95	22400-95 Fuel Tank L.H.		
96	22400-96 Fuel Tank R.H.		
97	22400-97 Weight Screw-Long		
98	22400-98 Fuel Tank Weight Small Standard		
99	22400-99 Fuel Tank Large (Optional)		
100	22400-100 Coupler Screw		
101	22400-101 Brake Cylinder L.H.		
102	22400-102 Brake Cylinder R.H.		
103	22400-103 Brake Cylinder Mounting Screw		
104	22400-104 Side Frame Complete With Brake Shoes		
105	22400-105 Side Frame Mounting Screw		
106	ART-29355 3 Axle Power Block		
107	29355-01 "A" Frame		
108	22400-108 Coupler Centering Spring		
109	22400-109 End Sill Screw		
110	22400-110 Inner Sill		
111	22400-111 End Sill		
112	22400-112 Bottom Left Step		
113	22400-113 Bottom Right Step		
114	22400-114 Middle Left Step		
115	22400-115 Middle Right Step		
116	22400-116 Top Left Step		
117	22400-117 Top Right Step		
118	22400-118 M.U. Base		
119	22400-119 M.U. Cover		
120	22400-120 Drop Step		
121	22400-121 Brake Line		
122	22400-122 M.U. Hose		
123	22400-123 End Sill Steps / M.U. Pockets		
124	22400-124 High Nose Bell Bracket		
125	22400-125 High Nose Bell		
126	22400-126 High Nose		
127	29355-02 PC Board in Gear Case		
128	29355-03 PC Board Screw		
129	29355-04 Motor Block Electrical Pick Up		
130	29355-05 Motor Electrical Pick Up		
131	29355-06 Motor Block Upper Half		
132	29355-07 Spacer		
133	29355-08 "A" Frame Retaining Screw		
134	29355-09 Drive Axle Screw		
135	29355-10 Drive Axle		
136	29355-11 Electrical Eyelet Screw		
137	29355-12 Electrical Eyelet		
138	29355-13 Bushing with Ball Bearings		
139	29355-14 Gear Case Screw		
140	29355-15 Gear Box Half		
141	29355-16 Helical Gear for Axle		
142	29355-17 Drive Shaft Assembly (Includes Worm & 2 Bushings w/ Ball Bearings)		
143	ART-29357 Motor		
144	29355-18 Wheel Retaining Screw		
145	29355-19 Lock Washer		
146	ART-29130 Black Metal Wheel		
147	29355-20 Motor Block Lower Half Retaining Screw		
148	29355-21 Motor Block Lower Half		
149	ART-60001 Engineer		
2	29101-99 Plastic Loop / Hook Coupler (2pcs.)		
	21000-99 Parts List - Order Form		

\*one piece unless otherwise noted



# ART-22400 SD-45 DIESEL LOCOMOTIVE PARTS LIST-ORDER FORM



RETURN THIS FORM WITH YOUR ORDER  
A REPLACEMENT FORM WILL BE SENT WITH YOUR ORDER

NOTE: When ordering replacement parts or repair request,  
please refer to proper 5 or 7 digit number listed.

XX refers to last two digits of roadname ART freight car number when part is painted to match, i.e. ART-22410 CSX. 22410-15 would then refer to CAB for CSX SD-45 DIESEL LOCOMOTIVE ART-22410. If part is same FOR ALL SD-45 DIESEL LOCOMOTIVES, 22400-PLUS 2 digit number would then be used to denote specific part, i.e. 22400-40 END SILL. When part is same FOR ALL CENTER CABS and OTHER LOCOMOTIVES, 29200 (or other #plus 2 digit number) would be used to denote specific part regardless of roadname/car type. Please specify of roadname/car type. Please specify roadname/ART# on line above part# list.

Unpainted/painted part(s) will be substituted if the painted to match part(s) ordered are not available.

In addition to Price Each shown please enclose...  
\$5.00 shipping/handling if part order is less than \$10.00 or  
\$10.00 shipping/handling if part order is \$10.00 or more.

This is for part order only. Not WARRANTY order.

Include proper payment for parts plus shipping/handling with your (USA Bank Account Only) check/money order payable in US Dollars (\$) to: Polk's Hobbies. Please DO NOT SEND CASH. Sorry no C.O.D.'s for parts.

New Jersey residents add 6% NJ State Sales Tax.

Be Sure to include your name, street address (no Post Office Box please), city, state (or province), country (if outside USA), and postal zip code, along with daytime phone number including Area Code, so that you may be contacted if necessary.

Not all parts available at all times. Parts requests/ orders are not back ordered. Fulfillment of orders not guaranteed.

Mail order form and payment to:

ARISTO-CRAFT TRAINS  
698 South 21st Street  
Irvington, NJ 07111-4109

Allow 4-6 weeks for processing and delivery.

PLEASE PRINT CLEARLY

NAME: \_\_\_\_\_

ADDRESS \_\_\_\_\_

CITY: \_\_\_\_\_ STATE: \_\_\_\_\_ ZIP \_\_\_\_\_

PHONE: (\_\_\_\_\_) - \_\_\_\_\_ - \_\_\_\_\_