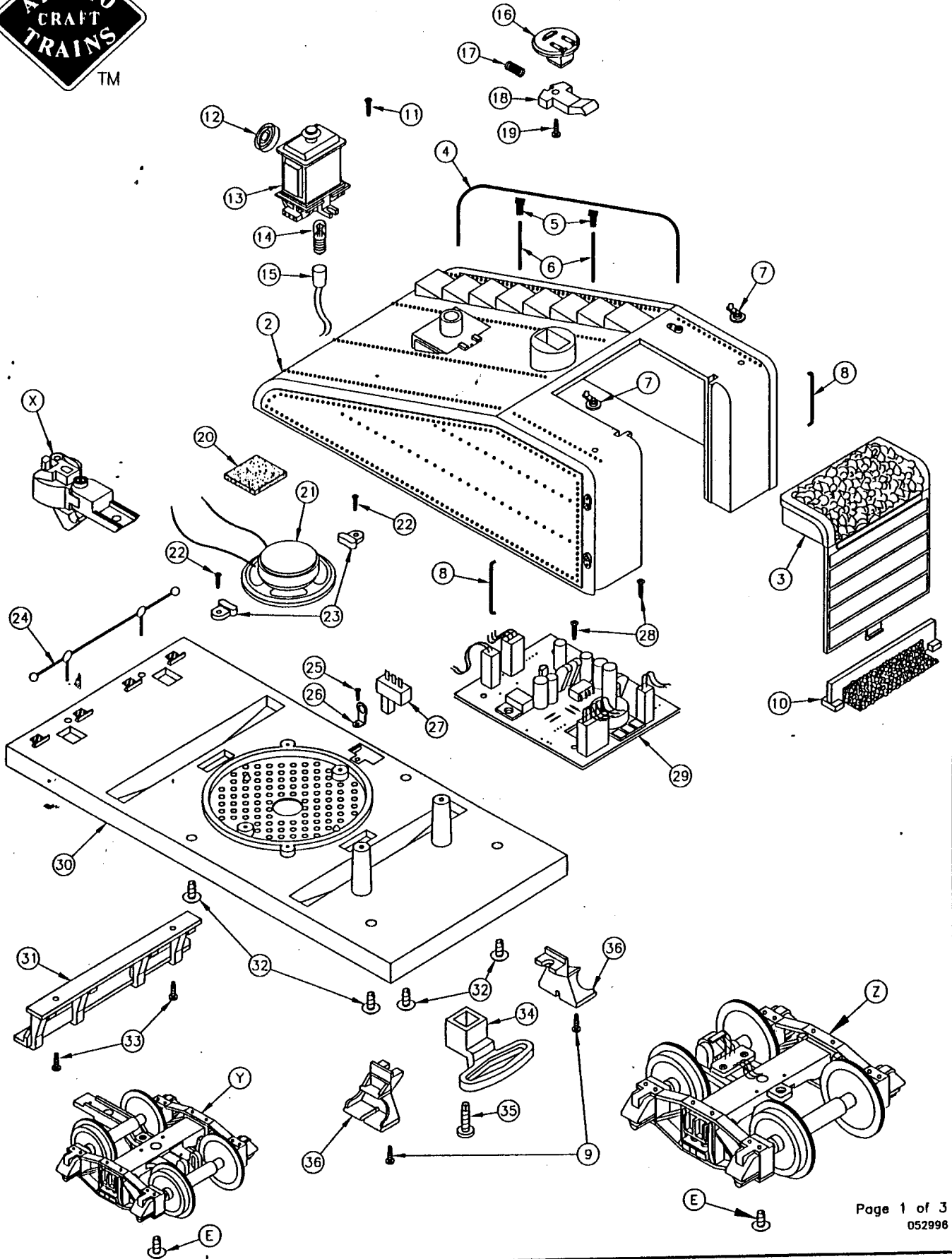




ART-21900 SERIES SWITCHER SLOPE BACK SOUND TENDER

#1 Gauge SCAT 1:29

ASSEMBLY INSTRUCTIONS

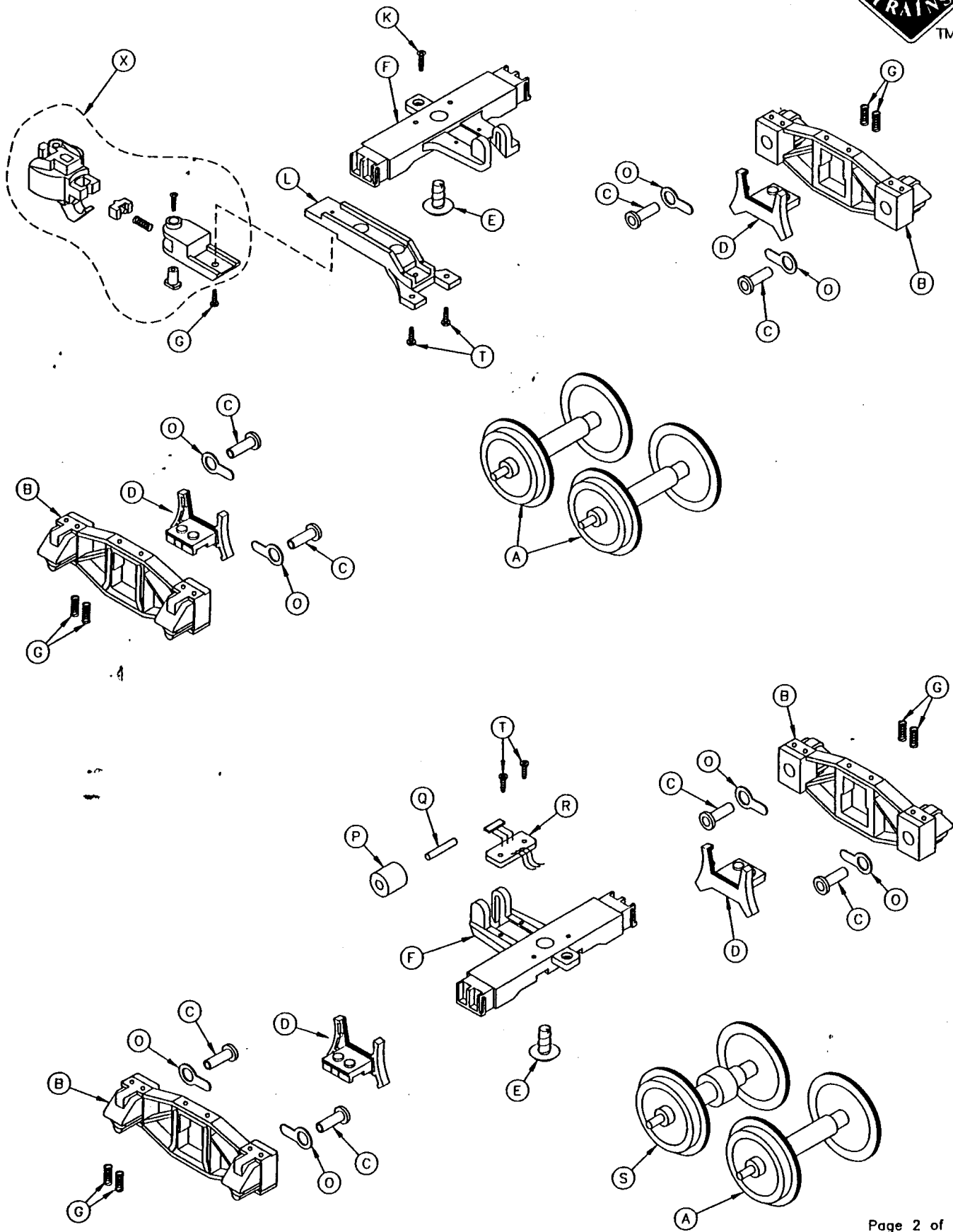


#1
Gauge

1:29
SCALE

ART-21900 SERIES SWITCHER SLOPE BACK SOUND TENDER

ASSEMBLY INSTRUCTIONS



ART-21900 SERIES SWITCHER SLOPE BACK SOUND TENDER
PARTS LIST-ORDER FORM



SPECIFY ROADNAME/ART#: _____ Insert Quantity

Part #	Description *	Price	Quantity Ordered
① 21900-01	Instruction Manual		
② 21900-02	Body Shell		
③ 21900-03	Coal Load		
④ 21900-04	Hand Rail		
⑤ 21900-05	Stairtions		
⑥ 21900-06	Hand Rail Uprights		
⑦ 21900-07	Water Valve		
⑧ 21900-08	Grab Irons		
⑨ 21900-09	Step Screws		
⑩ 21900-10	Coal Release		
⑪ 21900-11	Light Hold Down Screw		
⑫ 21900-12	Light Lens		
⑬ 21900-13	Lamp Housing		
⑭ 21900-14	Light Bulb		
⑮ 21900-15	Light Socket and Plug		
⑯ 21900-16	Water Hatch		
⑰ 21900-17	Release Spring		
⑱ 21900-18	Coal Load Release		
⑲ 21900-19	Coal Load Release Screw		
⑳ 21900-20	Rubber Cushion		
㉑ 21900-21	Speaker		
㉒ 21900-22	Speaker Hold Down		
㉓ 21900-23	Speaker Hold Down Screw		
㉔ 21900-24	Rear Grab Iron		
㉕ 21900-25	Wire Terminal Screw		
㉖ 21900-26	Wire Terminal		
㉗ 21900-27	Sound and Light Switch		
㉘ 21900-28	Sound Board Screws		
㉙ 21900-29	Sound Board		
㉚ 21900-30	Chassis		
㉛ 21900-31	Back Step		
㉜ 21900-32	Shell Mounting Screws		
㉝ 21900-33	Back Step Screws		
㉞ 21900-34	Foward Coupler		
㉟ 21900-35	Foward Coupler Screw		
⓪ 21900-36	Front Steps		
⓫ 29115-05	Truck Mounting Screw		
⓬ 29115-22	Knuckle Coupler		
⓭ 29115Y	Rear Truck ART-29115		
⓮ 29115Z	Foward Truck ART-29115		
⓯ 29115	Truck, Slope Back Tender (Pair)		
⓰ 29115-01	Metal Wheel		
⓱ 29115-02	Side Frame		
⓲ 29115-03	Brass Bushing		
⓳ 29115-04	Brake Shoe		
⓴ 29115-05	Bolster Screw		
⓵ 29115-07	Truck Bolster		
⓶ 29115-08	Truck Spring		
⓷			
⓸			
⓹			
⓺			
⓻			
⓼			
⓽			
⓾			
⓿			
Ⓚ			
Ⓛ 29115-13	Rear Truck Coupler Extension		
Ⓜ 29115-14	Coupler Mounting Screw		
Ⓨ			
Ⓩ 29115-16	Wire Pick Up		
ⓐ 29115-17	Cylindrical Magnet		
ⓑ 29115-18	Brass Rod		
ⓒ 29115-19	Chuff Chip		
ⓓ 29115-20	Chuff Switch Axle		
ⓔ 29115-21	Coupler Extension Screws		

* one piece unless otherwise noted

RETURN THIS FORM WITH YOUR ORDER
A REPLACEMENT FORM WILL BE SENT WITH YOUR ORDER

NOTE: When ordering replacement parts or repair request, please refer to proper 5 or 7 digit number listed. XX refers to last two digits of roadname ART Tender number when part is painted to match, i.e. ART-21909 SANTA FE. 21909-02 would then refer to BODY for SANTA FE SLOPE BACK TENDER ART-21909. If part is same FOR ALL SLOPE BACK TENDERS, 21909-plus 2 digit number would be used to denote specific part, i.e. 21909-12 Light Lens used on ALL SLOPE BACK TENDERS regardless of railroad name. When part is same FOR ALL SLOPE BACK TENDERS AND OTHER TENDERS, 29200 (or other #-plus 2 digit number) would be used to denote specific part regardless of roadname/car type. Please specify roadname/ART# on line above part# list and always when ordering parts by phone/fax/letter.

Unpainted/painted part(s) will be substituted if the painted to match part(s) ordered are not available.

In addition to Price Each shown please enclose...

\$5.00 shipping/handling if part order is less than \$10.00 or \$10.00 shipping/handling if part order is \$10.00 or more.

This is for part order only. Not WARRANTY order.

Include proper payment for parts plus shipping/handling with your (USA Bank Account Only) check/money order payable in US Dollars (\$) to: Polk's Hobbies. Please DO NOT SEND CASH. Sorry no C.O.D.'s for parts.

New Jersey residents add 6% NJ State Sales Tax.

Be Sure to include your name, street address (no Post Office Box please), city, state (or province), country (if outside USA), and postal zip code, along with daytime phone number including Area Code, so that you may be contacted if necessary.

Mail order form and payment to:

ARISTO-CRAFT TRAINS/Polk's Modelcraft Hobbies, Inc.
698 South 21st Street
Irvington, NJ 07111-4109 USA

Allow 4-6 weeks for processing and delivery.

PLEASE PRINT CLEARLY

NAME: _____

ADDRESS _____

CITY: _____ STATE: _____ ZIP _____

PHONE: (_____) - _____ - _____