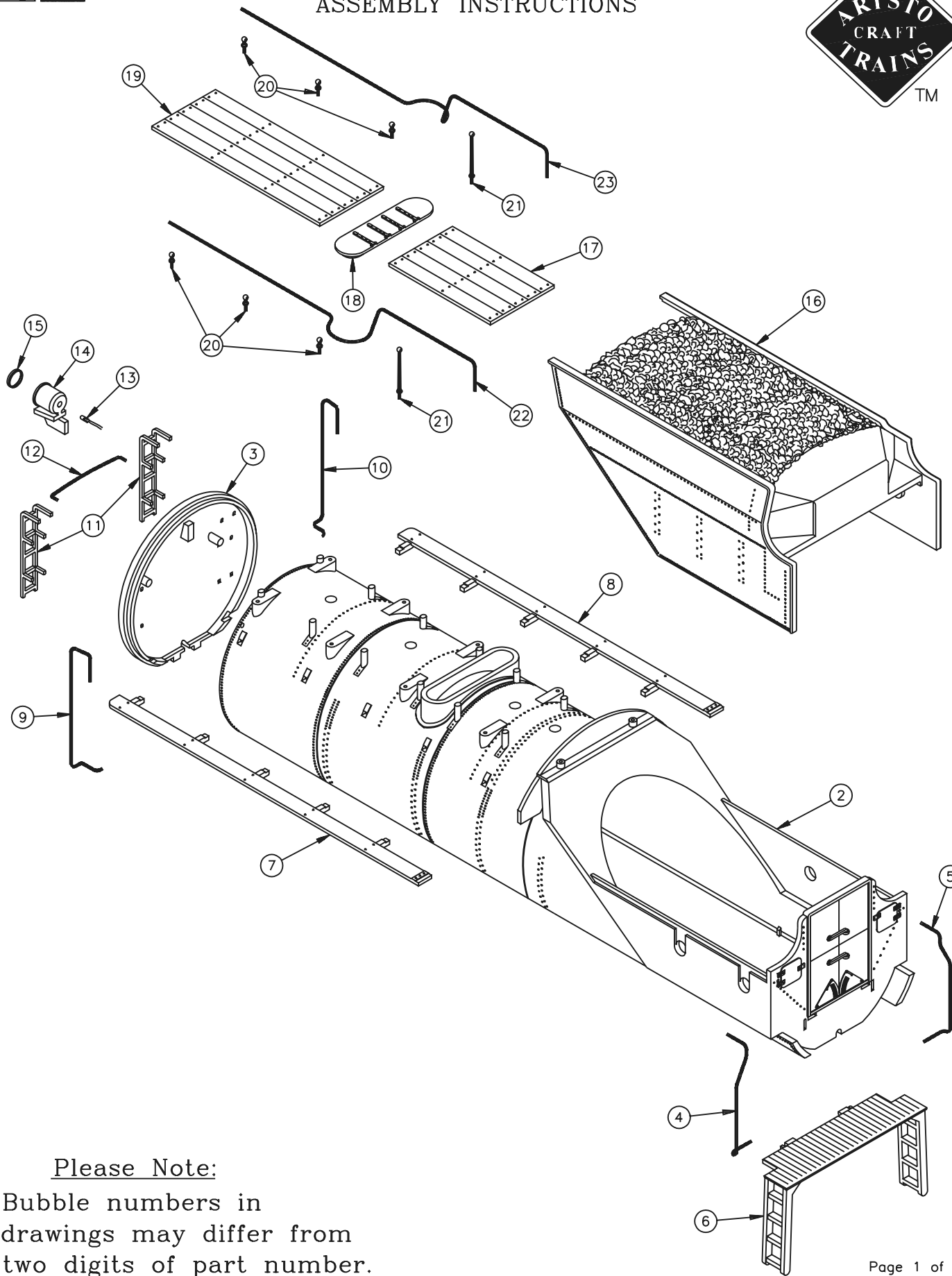


# ART-21850 SERIES VANDERBILT TENDER

## ASSEMBLY INSTRUCTIONS



+



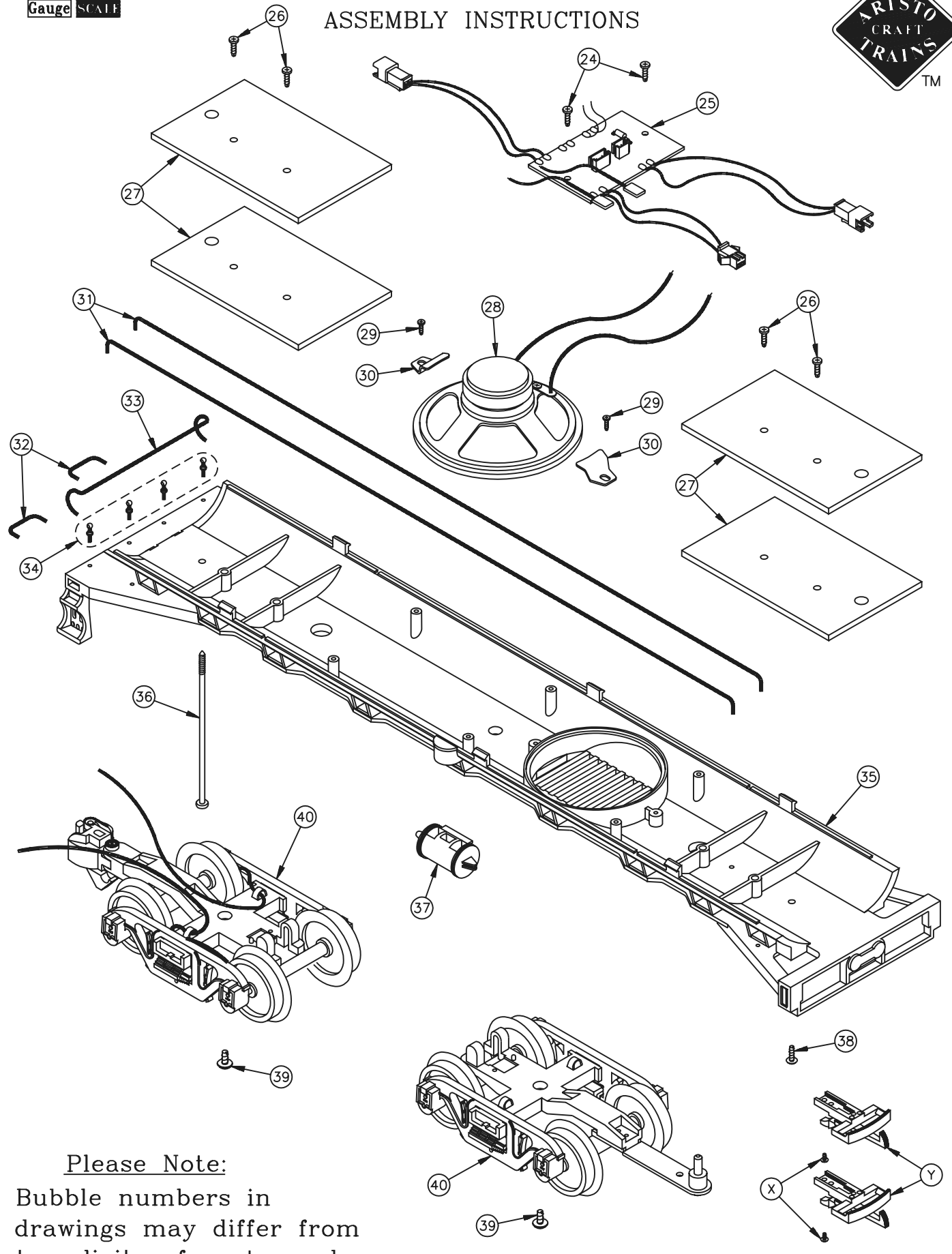
+

+

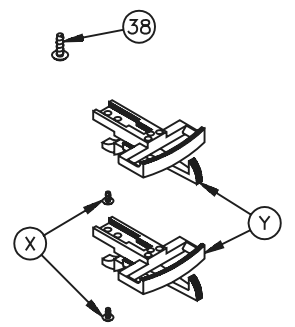
Please Note:  
Bubble numbers in drawings may differ from two digits of part number.

# ART-21850 SERIES VANDERBILT TENDER

## ASSEMBLY INSTRUCTIONS



Please Note:  
Bubble numbers in drawings may differ from two digits of part number.



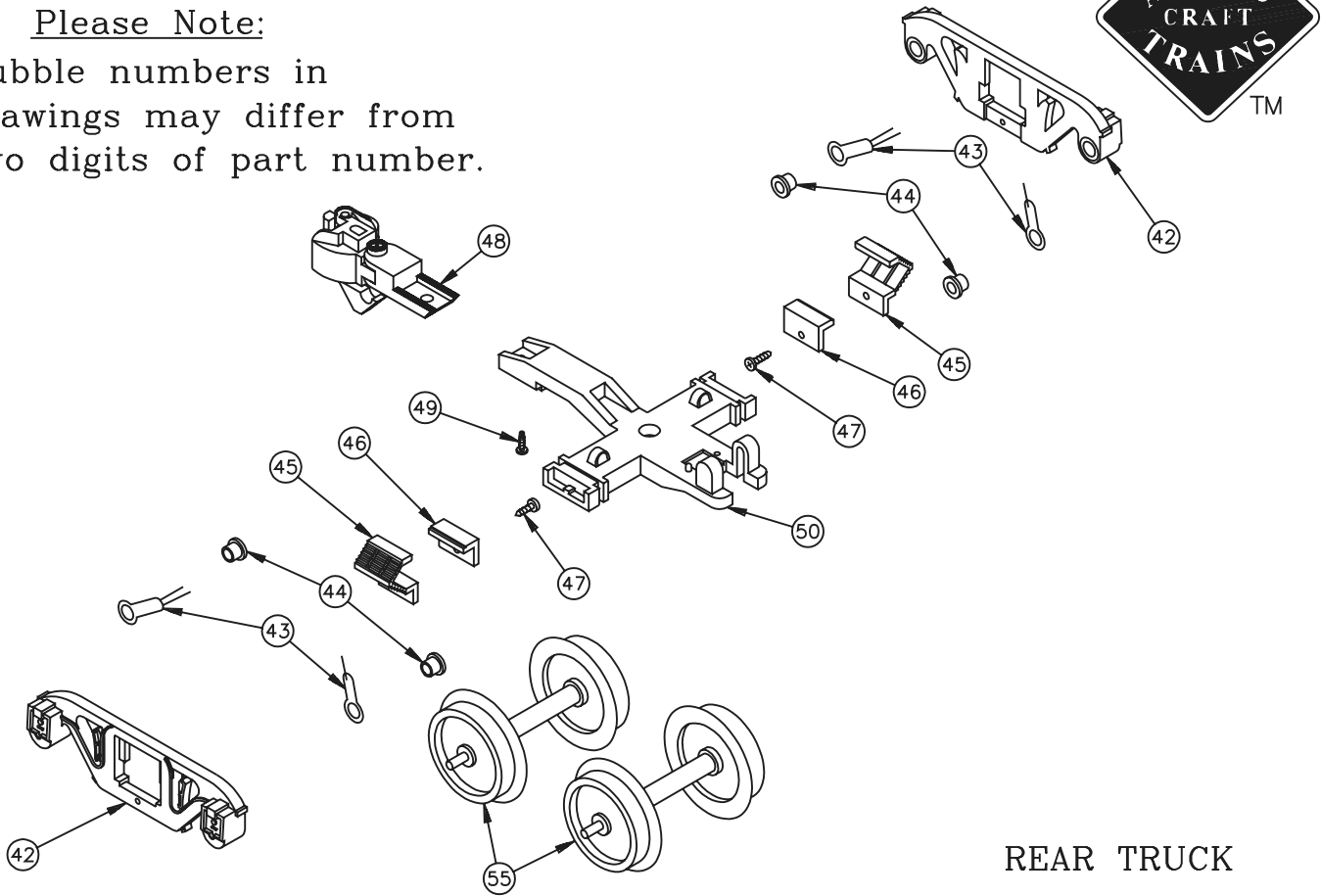
# ART-21850 SERIES VANDERBILT TENDER

## ASSEMBLY INSTRUCTIONS

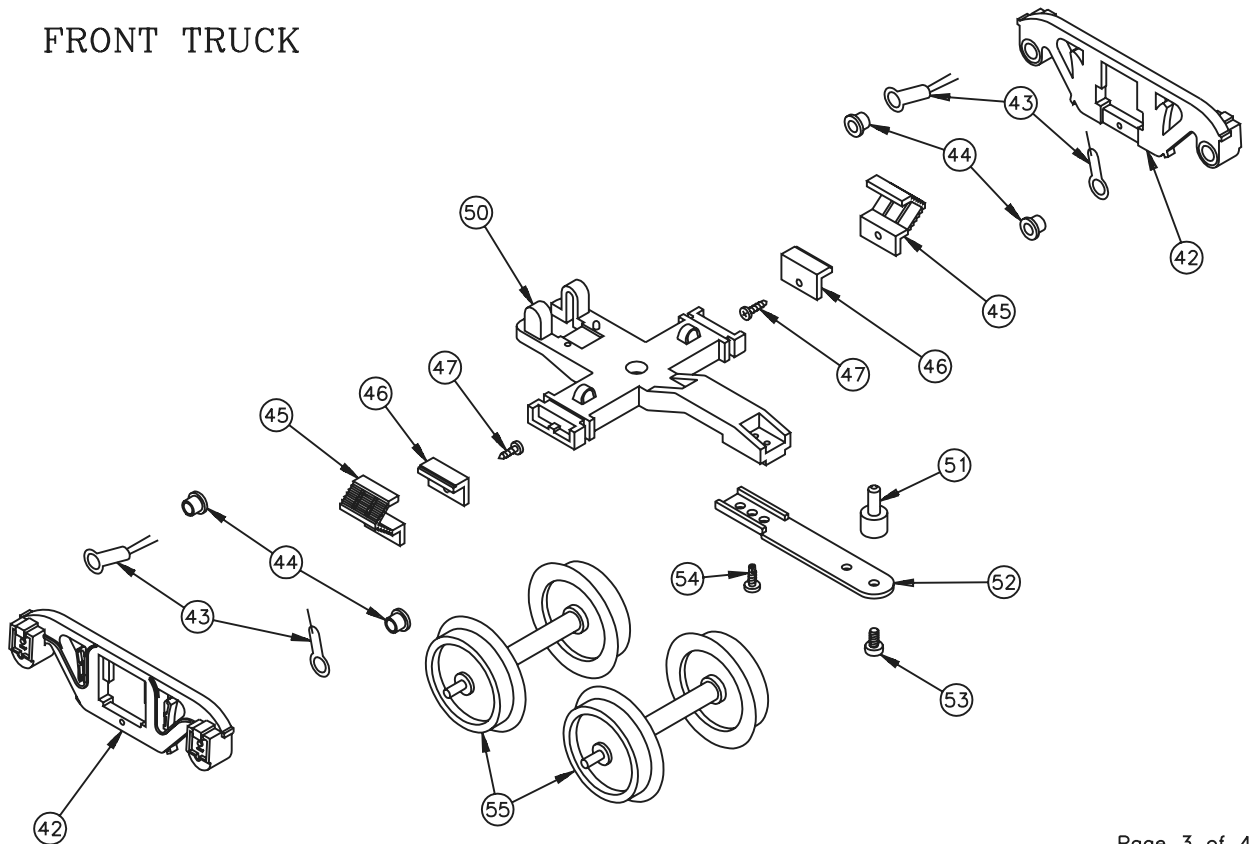


Please Note:

Bubble numbers in drawings may differ from two digits of part number.



### FRONT TRUCK



# ART-21810 SERIES VANDERBUILT TENDER

## PARTS LIST-ORDER FORM



SPECIFY ROADNAME/ART#: \_\_\_\_\_ Insert Quantity Ordered

| Part #     | Description *             | Price | Quantity Ordered |
|------------|---------------------------|-------|------------------|
| ① 21800-01 | Instruction Manual        |       |                  |
| ② 21800-02 | Body Shell                |       |                  |
| ③ 21800-03 | End Cap                   |       |                  |
| ④ 21800-04 | Forward Grab Iron R.H.    |       |                  |
| ⑤ 21800-05 | Forward Grab Iron L.H.    |       |                  |
| ⑥ 21800-06 | Front Deck and Steps      |       |                  |
| ⑦ 21800-07 | Side Platform R.H.        |       |                  |
| ⑧ 21800-08 | Side Platform L.H.        |       |                  |
| ⑨ 21800-09 | Rear Grab Iron R.H.       |       |                  |
| ⑩ 21800-10 | Rear Grab Iron L.H.       |       |                  |
| ⑪ 21800-11 | Rear Ladder               |       |                  |
| ⑫ 21800-12 | Long Grab Iron            |       |                  |
| ⑬ 21800-13 | Light Bulb                |       |                  |
| ⑭ 21800-14 | Lamp Housing              |       |                  |
| ⑮ 21800-15 | Light Lens                |       |                  |
| ⑯ 21800-16 | Coal Load                 |       |                  |
| ⑰ 21800-17 | Short Platform            |       |                  |
| ⑱ 21800-18 | Water Fill Hatch          |       |                  |
| ⑲ 21800-19 | Long Platform             |       |                  |
| ⑳ 21800-20 | Short Hand Rail Stanchion |       |                  |
| ㉑ 21800-21 | Long Hand Rail Stanchion  |       |                  |
| ㉒ 21800-22 | Hand Rail R.H.            |       |                  |
| ㉓ 21800-23 | Hand Rail L.H.            |       |                  |
| ㉔ 21800-24 | Circuit Board             |       |                  |
| ㉕ 21800-25 | Circuit Board Screws      |       |                  |
| ㉖ 21800-26 | Body Weight Screw         |       |                  |
| ㉗ 21800-27 | Body Weight               |       |                  |
| ㉘ 21800-28 | Speaker                   |       |                  |
| ㉙ 21800-29 | Speaker Hold Down         |       |                  |
| ㉚ 21800-30 | Speaker Hold Down Screws  |       |                  |
| ㉛ 21800-31 |                           |       |                  |
| ㉜ 21800-32 | Rear Grab Iron            |       |                  |
| ㉝ 21800-33 | Rear Hand Rail            |       |                  |
| ㉞ 21800-34 | Short Stanchion           |       |                  |
| ㉟ 21800-35 | Chassis                   |       |                  |
| ㊱ 21800-36 | Long Body Shell Screw     |       |                  |
| ㊲ 21800-37 | Air Reservoir             |       |                  |
| ㊳ 21800-38 | Body Shell Screw          |       |                  |
| ㊴ 21800-39 | Bolster Screw             |       |                  |
| ㊵ 21800-40 | Foward Truck ART-29108    |       |                  |
| ㊶ 21800-41 | Rear Truck ART-29108      |       |                  |
| ㊷ 21800-42 | Side Frame                |       |                  |
| ㊸ 21800-43 | Conductors                |       |                  |
| ㊹ 21800-44 | Bushing                   |       |                  |
| ㊺ 21800-45 | Spring                    |       |                  |
| ㊻ 21800-46 | Spring Mount              |       |                  |
| ㊼ 21800-47 | Spring Mount Screw        |       |                  |
| ㊽ 21800-48 | Bolster                   |       |                  |
| ㊾ 21800-49 | Knuckle Coupler ART-29200 |       |                  |
| ㊿ 21800-50 | Coupler Screw             |       |                  |
| 1 21800-51 | Draw Bar Pin              |       |                  |
| 2 21800-52 | Draw Bar                  |       |                  |
| 3 21800-53 | Draw Bar Pin Screw        |       |                  |
| 4 21800-54 | Draw Bar Retaining Screw  |       |                  |
| 5 21800-55 | Wheel ART-29111B          |       |                  |
| 6 21800-56 | Mounting Screw            |       |                  |
| 7 21800-57 | Plastic Loop/Hook Coupler |       |                  |
| 8 21800-99 | Parts List - Order Form   |       |                  |

\*one piece unless otherwise noted

RETURN THIS FORM WITH YOUR ORDER  
A REPLACEMENT FORM WILL BE SENT WITH YOUR ORDER

NOTE: When ordering replacement parts or repair request, please refer to proper 5 or 7 digit number listed. XX refers to last two digits of roadname ART tender number when part is painted to match, i.e. ART-21802 B & O. 21802-02 would then refer to Shell for B & O STEAM LOCOMOTIVE TENDER ART-21802. If part is same FOR ALL STEAM LOCOMOTIVE TENDERS, 21800-plus 2 digit number would be used to denote specific part, i.e. 21800-03 Coal Load used on ALL STEAM LOCOMOTIVE TENDERS regardless of railroad name. When part is same FOR ALL STEAM LOCOMOTIVE TENDERS AND OTHER FREIGHT CARS, 29200 (or other #-plus 2 digit number) would be used to denote specific part regardless of roadname/car type. Please specify roadname/ART# on line above part# list and always when ordering parts by phone/fax/letter. Unpainted/painted part(s) will be substituted if the painted to match part(s) ordered are not available. In addition to Price Each shown please enclose... \$5.00 shipping/handling if part order is less than \$10.00 or \$10.00 shipping/handling if part order is \$10.00 or more.

This is for part order only. Not WARRANTY order. Include proper payment for parts plus shipping/handling with your (USA Bank Account Only) check/money order payable in US Dollars (\$) to: Polk's Hobbies. Please DO NOT SEND CASH. Sorry no C.O.D.'s for parts.

New Jersey residents add 6% NJ State Sales Tax.

Be Sure to include your name, street address (no Post Office Box please), city, state (or province), country (if outside USA), and postal zip code, along with daytime phone number including Area Code, so that you may be contacted if necessary.

Mail order form and payment to:

ARISTO-CRAFT TRAINS/Polk's Modelcraft Hobbies, Inc.  
698 South 21st Street  
Irvington, NJ 07111-4109 USA

Allow 4-6 weeks for processing and delivery.

PLEASE PRINT CLEARLY

NAME: \_\_\_\_\_

ADDRESS \_\_\_\_\_

CITY: \_\_\_\_\_ STATE: \_\_\_\_\_ ZIP \_\_\_\_\_

PHONE: (\_\_\_\_\_) - \_\_\_\_\_ - \_\_\_\_\_